



Architecture for Resilience

Michel Sall (Trialog)
Antonio Kung (Trialog)



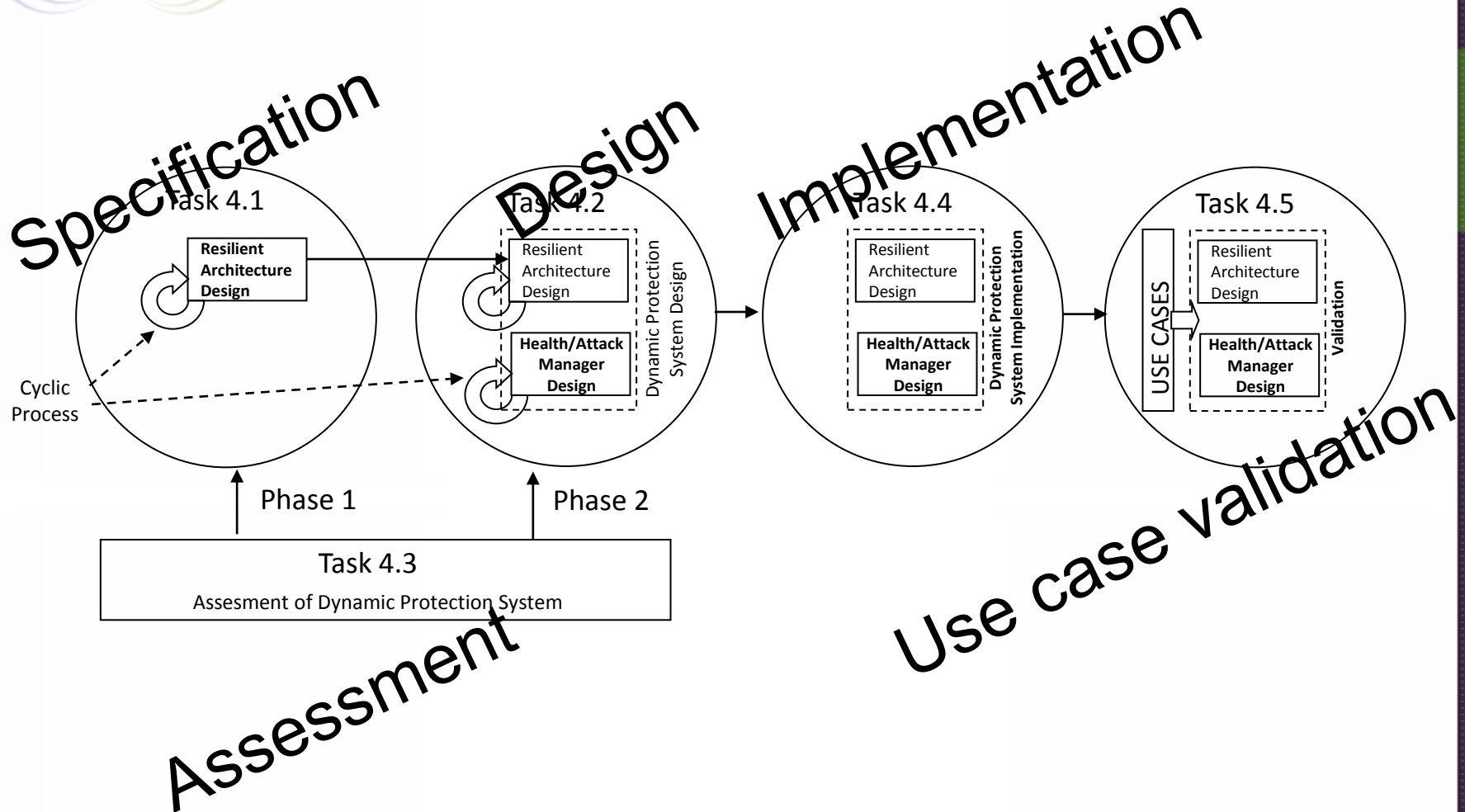


Outline

- ❖ **Context of work**
- ❖ **Video on Architecture**
- ❖ **Architecture Design and Evaluation**
- ❖ **Integration in Railways Systems**



Context of Work





Video

https://www.youtube.com/watch?v=1_V2ZMEeUbl&feature=youtu.be





Architecture Design





Architecture for Resilience

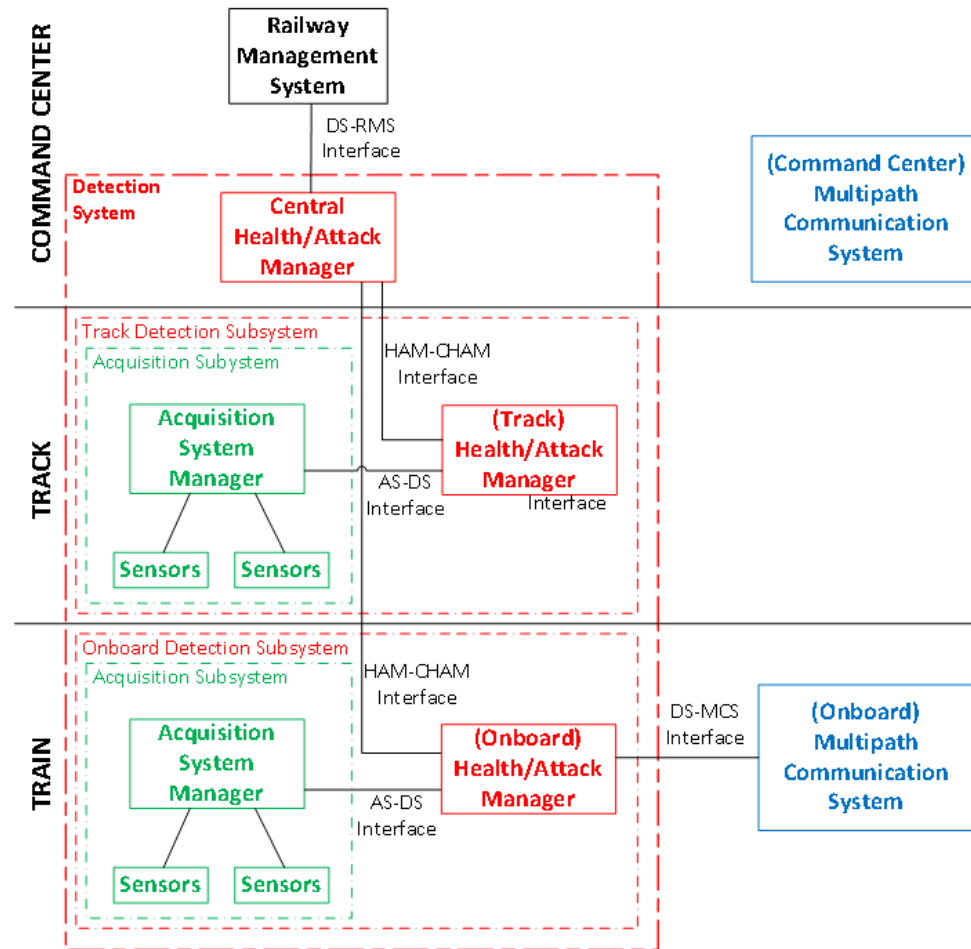


Figure 27: Logical Architecture of the detection system



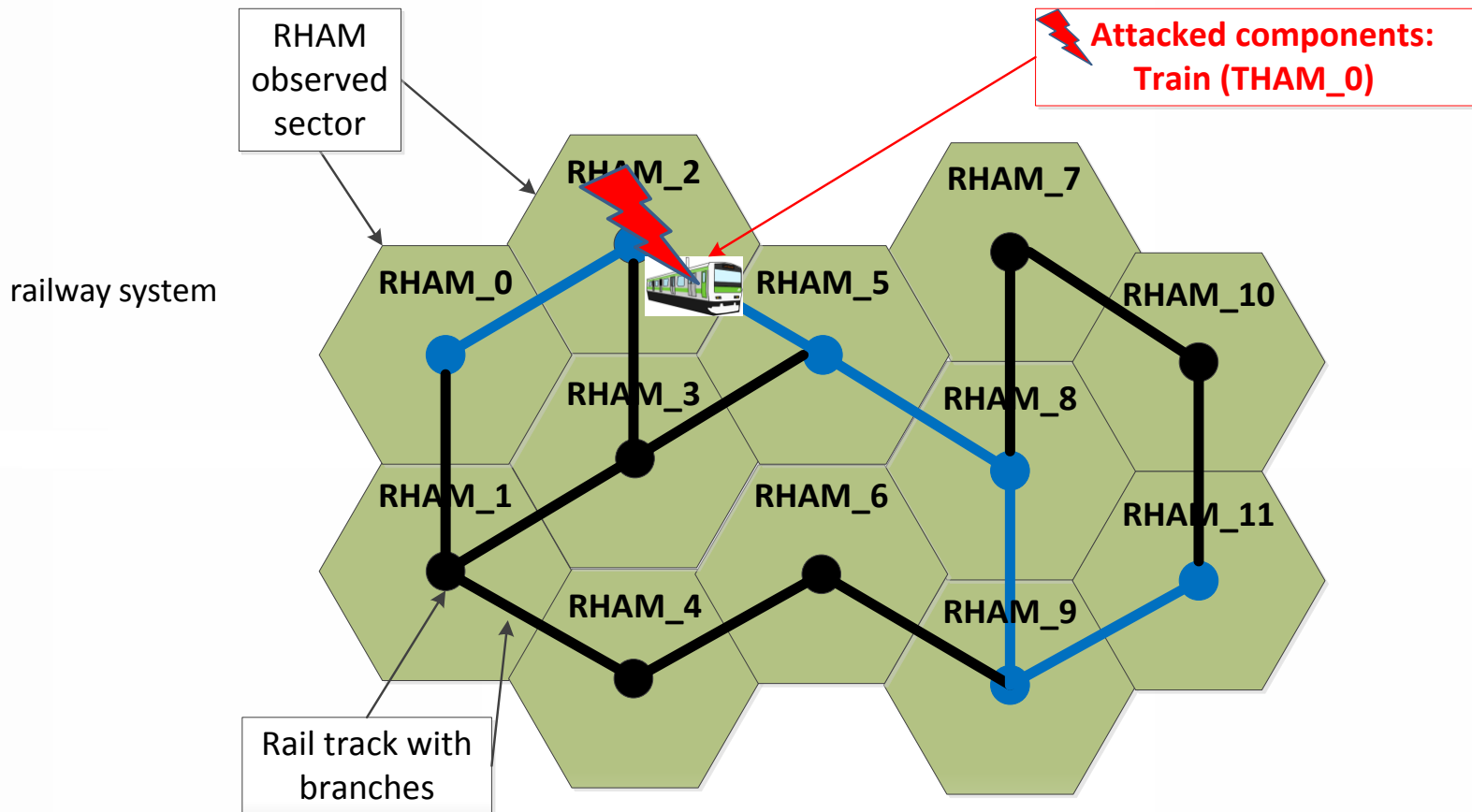
Evaluation Approaches





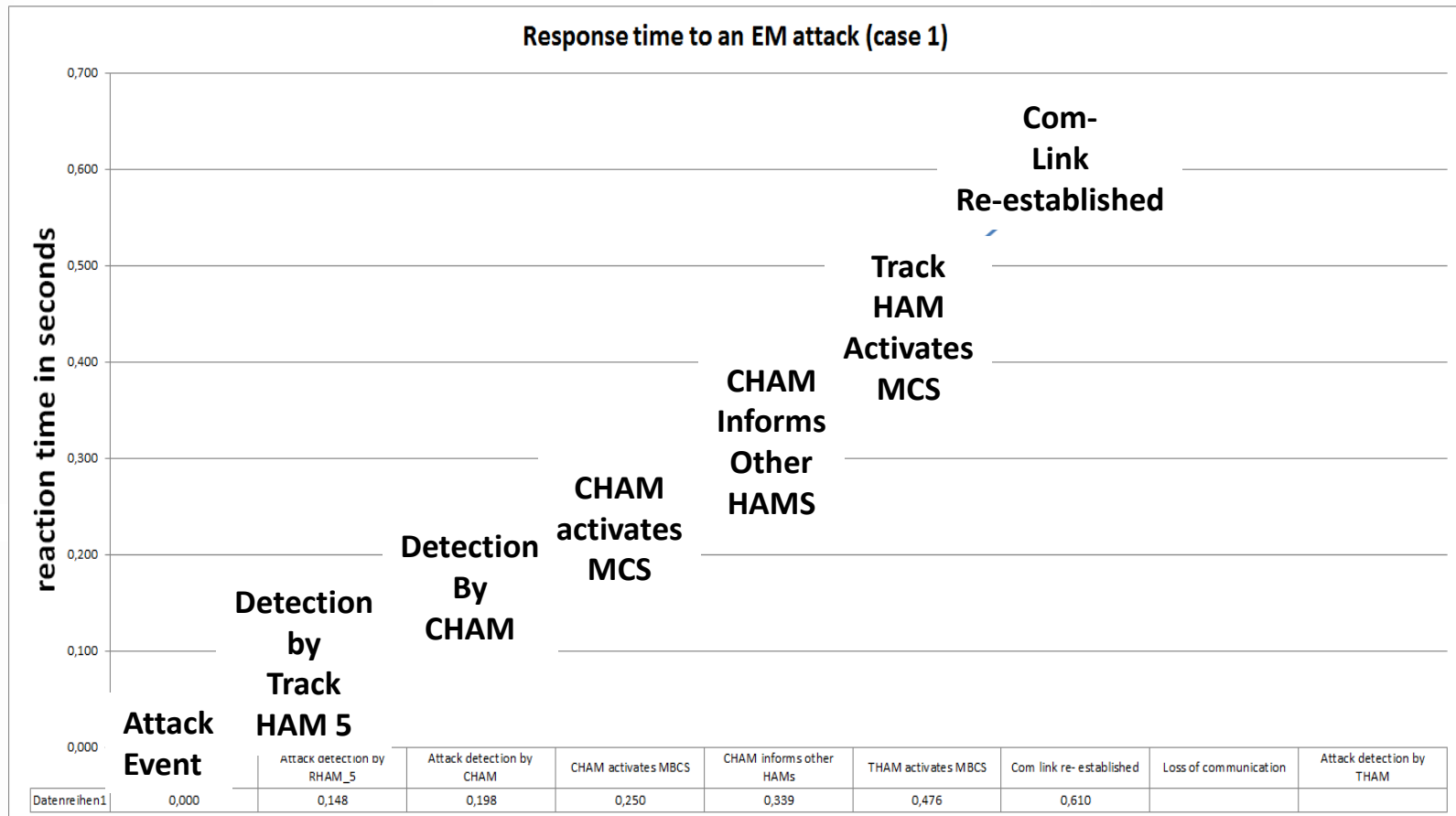
Simulation

In order to run concrete simulations we need a concrete railway system model and concrete attack scenarios



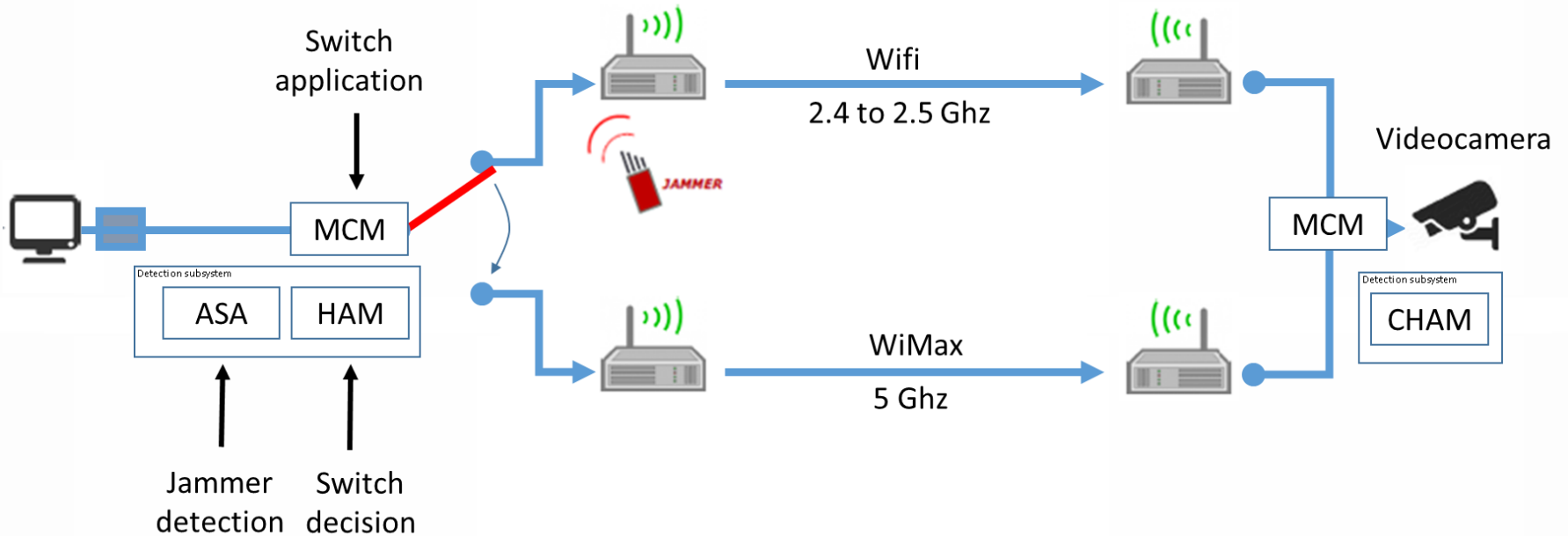


Example Simulation: Base Model 2 - Railway under attack





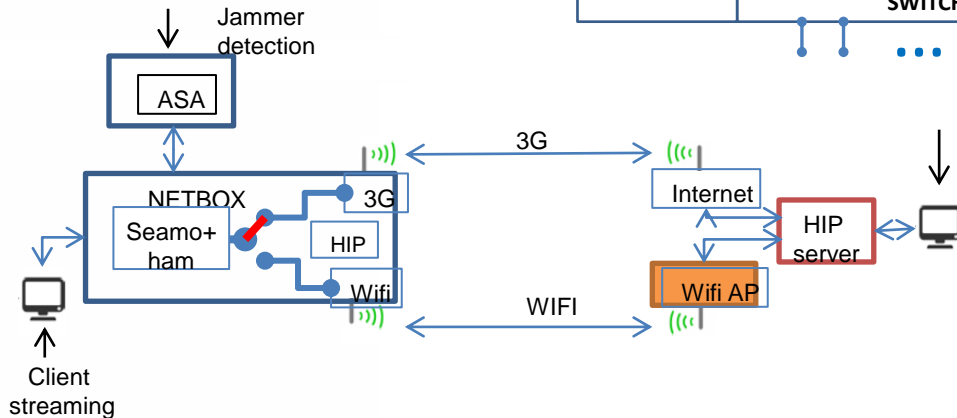
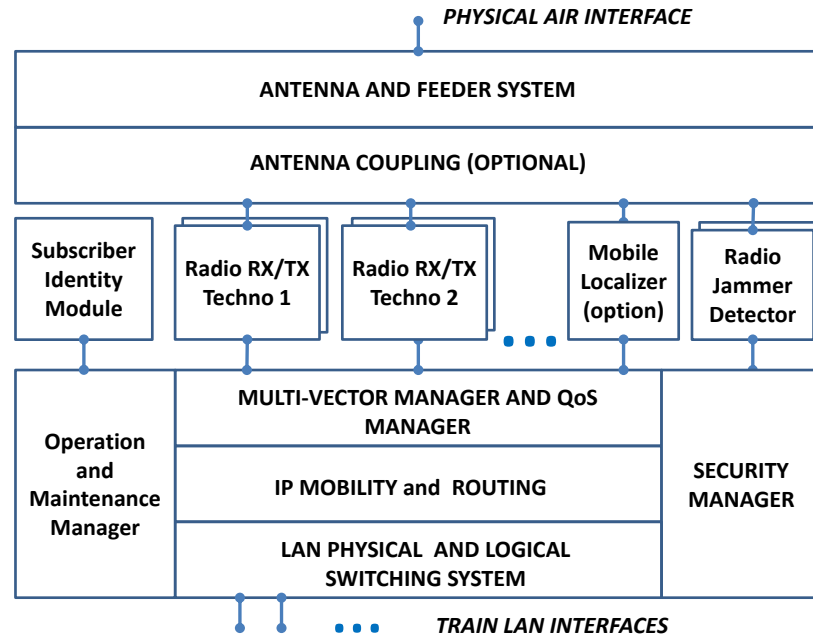
- ❖ IP-Based MCS
- ❖ MPTCP





Railways integration validation (demonstrator 2)

- ❖ Based on existing implementation
- ❖ Security manager to protect against EM attacks and other assets





Thank you

Secret Workshop

Antonio KUNG and Michel Sall, Trialog

